

Technishield

Product summary



Optima
ClearThinking

Technishield

Product summary



Technishield range

- Technishield standard range comprises Technishield 25, Technishield 54, Technishield 50, Technishield 65 and Technishield Pulse door
- Additional fire rated systems are available upon request (Technishield 70 EI90 screen and Technishield 110 EI120 screen)
- Technishield 25 is single glazed and is designed to have a common appearance with non-fire rated single Optima 117 Plus system
- Technishield 54 can be single or double glazed and is designed to have a common appearance with non-fire rated Revolution 54 system
- Fire rated doors are available with a range of fire rated locking options and ironmongery
- The Technishield Pulse E60 door is ideal for entrance areas, lift lobbies and corridors

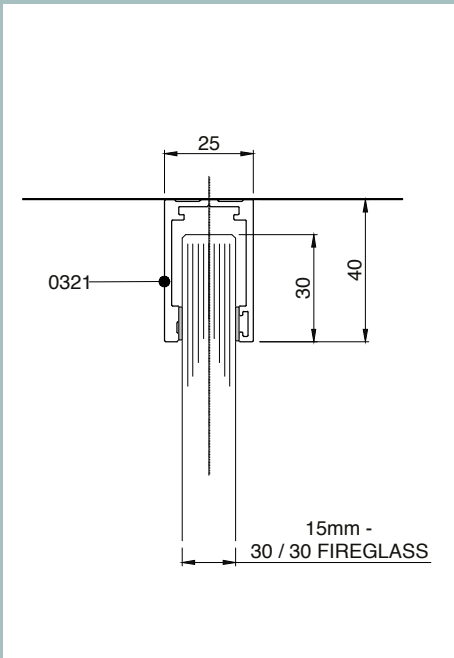
Fire ratings

	E30	E60	EI30	EI60
Technishield 25 – screen	•			
Technishield 54 – screen	•			
Technishield 50 – screen	•	•		
Technishield 50 – door	•	•		
Technishield 65 – screen			•	•
Technishield 65 – door			•	•
Technishield Pulse – door	•	•		

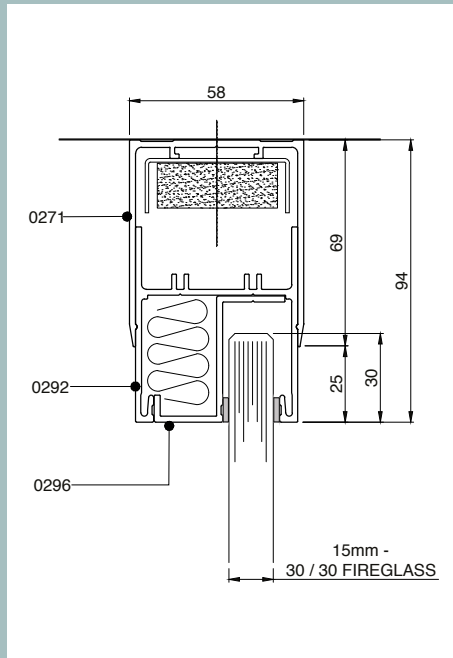


Specification information

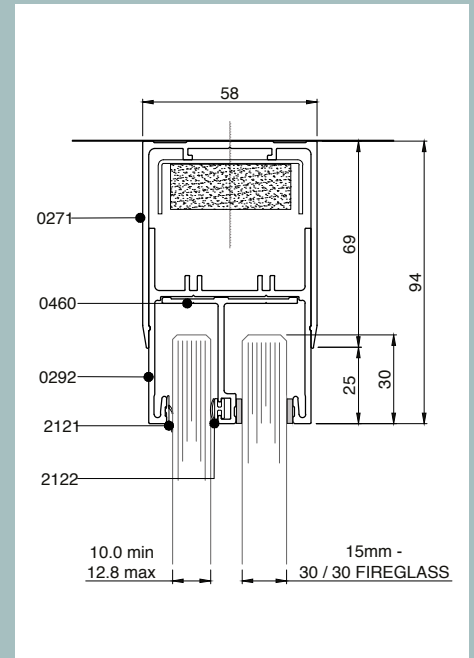
System type	<p>Technishield 25 and Technishield 54: E30 aluminium framed screen and E30 timber door</p> <p>Technishield 50: E30 or E60 steel framed screen and E30 or E60 glass door</p> <p>Technishield 65: EI30 or EI60 steel framed screen and EI30 or EI60 glass door</p> <p>Technishield Pulse: E30 or E60 standalone steel framed glass door; finished in stainless steel or powder coated mild steel</p>
Glass thickness	<p>Technishield 25 and Technishield 54: 15mm Optima fire rated glass in screen and E30 Timber door. Technishield 54 can also be double glazed using 15mm Optima fire rated glass and 12.8mm acoustic laminated glass</p> <p>Technishield 50 and Technishield 65: Glass thickness determined by acoustic requirement and application. Please speak to our Technical Team for advice</p> <p>Technishield Pulse: 10mm or 12mm thick fire rated glass in door. 13mm fire rated glass in side screen</p>
Interpanel joint	<p>Technishield 25 and Technishield 54: 5mm fire rated silicone in grey, white or black. For double glazed Technishield 54, a fire rated silicone joint is used on one layer of glass and an aluminium dry joint on the second layer</p> <p>Technishield 50 and Technishield 65: 5mm fire rated silicone joints if butt-jointed, or vertical mullions if fully framed</p>
Frame dimension	<p>Technishield 25: No deflection – 25mm wide x 40mm or 50mm deep head channel. 25mm x 25mm floor channel or floor angles With deflection – 58mm wide x 94mm deep offset single glazed head track with outer deflection channel. 25mm x 40mm offset single glazed floor track</p> <p>Technishield 54: No deflection – 54mm wide x 50mm deep head channel. 54mm x 50mm or 54mm x 25mm floor channel With deflection – 58mm wide x 94mm deep double glazed head track with outer deflection channel</p> <p>Technishield 50: 50mm wide x 50mm deep framing profiles at the head. 50mm x 70mm framing profiles at base</p> <p>Technishield 65: 65mm wide x 65mm deep framing profiles at the head. 65mm x 70mm framing profiles at base</p> <p>Technishield Pulse: 90mm top and bottom rails with 29mm door stiles and 50mm x 70mm overall door frame</p>
Deflection	Technishield 25, Technishield 54 and Technishield Pulse can accommodate ± 25 mm deflection
Maximum panel dimensions	<p>Technishield 25 and Technishield 54: Screen – 2850mm x 1000mm Timber door – 2325mm maximum height</p> <p>Technishield 50 and Technishield 65: Screen – Technishield 50 and Technishield 65 can accommodate a wide range of fire rated glass types to suit acoustic and performance requirements. Maximum panel dimensions are dependent upon the glass type specified. Please consult our Technical Team for further advice Single glass door – 3000mm x 1230mm Double glass door – 3000mm x 2400mm Glass door with over panel – 4000mm x 1100mm</p> <p>Technishield Pulse: Door – 2922mm x 1081mm</p>
Acoustic rating	<p>Technishield 25: Rw37dB – single glazed, using 15mm Optima fire rated glass</p> <p>Technishield 54: Rw37dB – single glazed, using 15mm Optima fire rated glass Rw45dB – double glazed, using 15mm Optima fire rated glass and 12.8mm acoustic laminated glass</p>



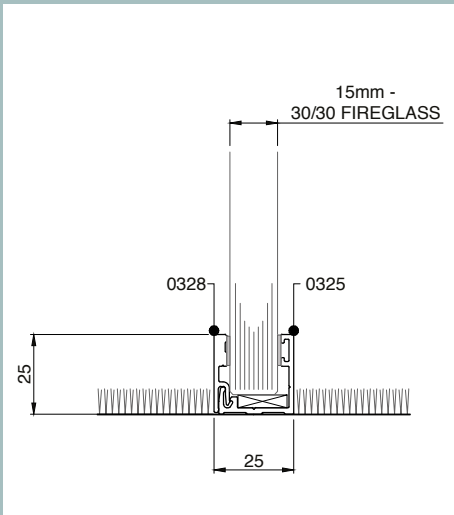
Technishield 25 head track central single glazed



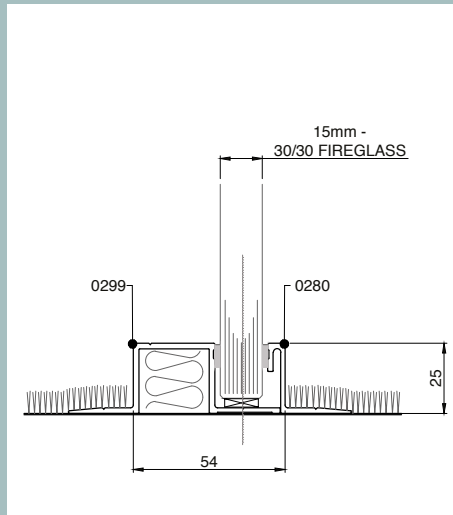
Technishield 54 offset single glazed head track with outer upper channel ±25mm expansion/deflection



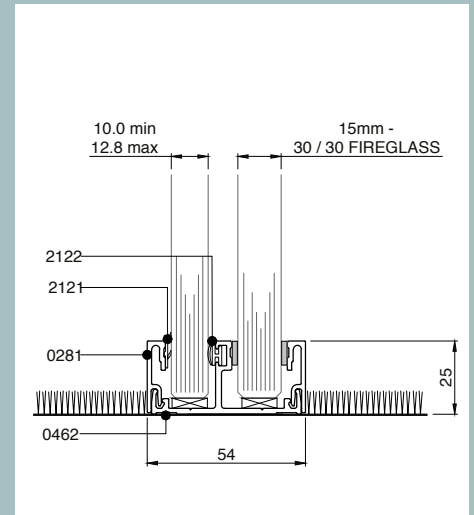
Technishield 54 offset double glazed head track with outer upper channel ±25mm expansion/deflection



Technishield 25 central single glazed floor track 25mm x 25mm with clip-in bead

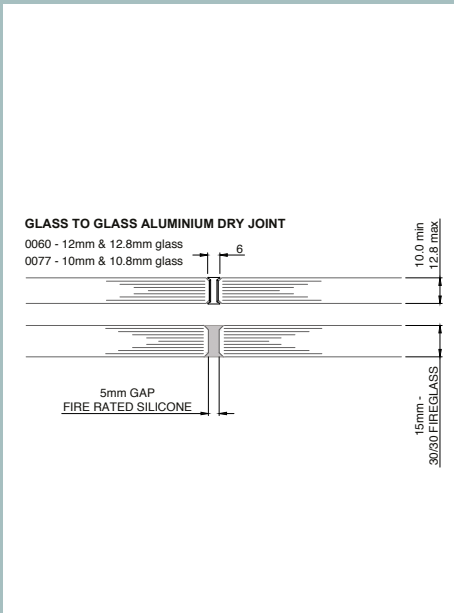


Technishield 54 offset single glazed floor track

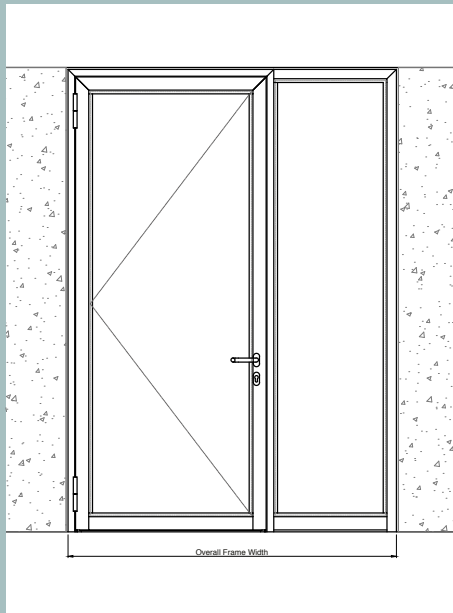


Technishield 54 25mm double glazed floor track

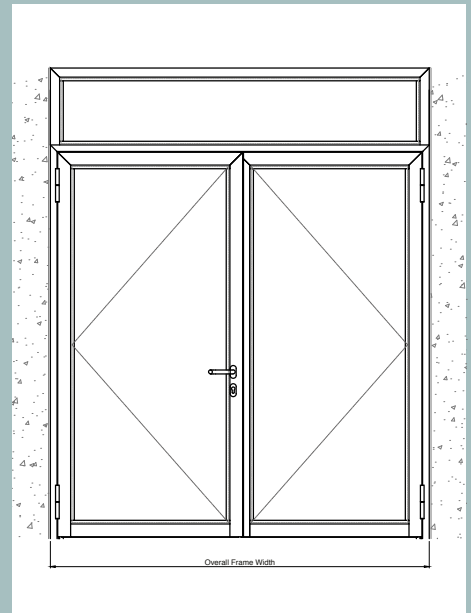




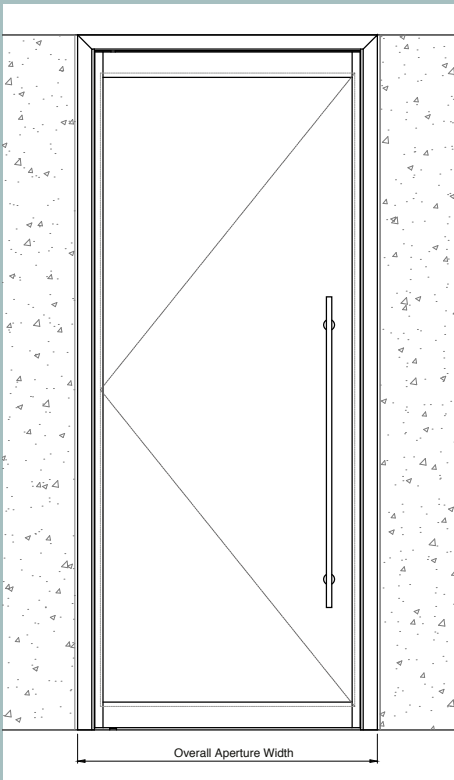
Glass to glass silicone joint



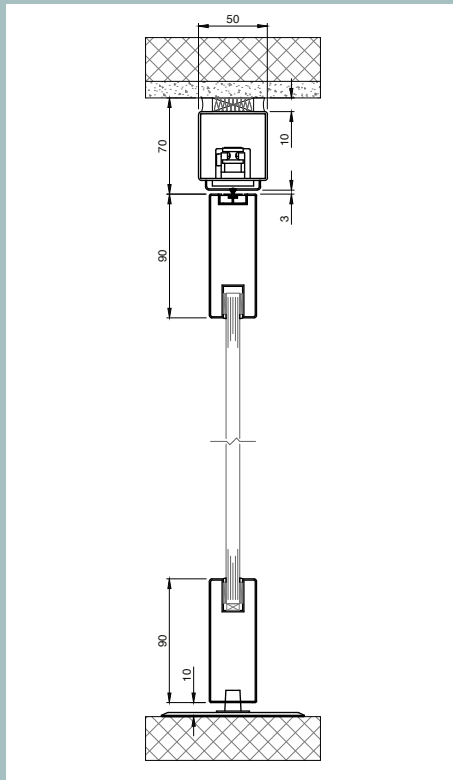
Elevation showing Technishield System 50 single door set on hinges with side panel – Part M Compliant clear opening



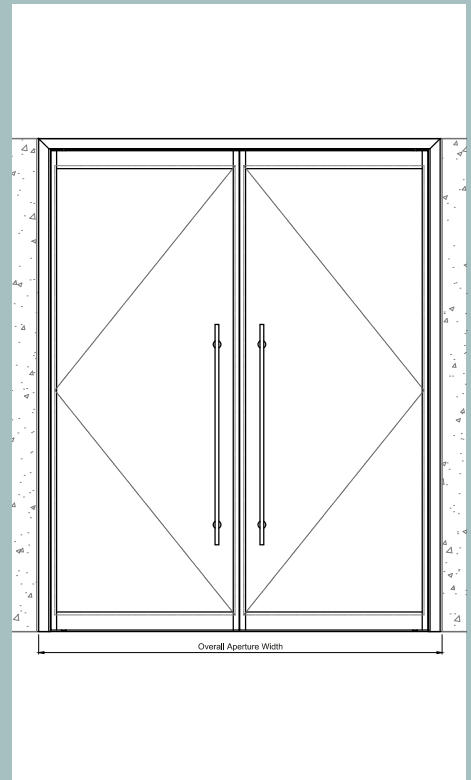
Elevation showing Technishield System 65 E130 double door set on hinges with an over panel – Part M Compliant clear opening



Elevation showing Technishield Pulse E30/E60 single door set on in-line pivot – Part M Compliant clear opening



Section through Technishield Pulse E30/E60 single door set on in-line pivots



Elevation showing Technishield Pulse E30/E60 double door set on in-line pivots – Part M Compliant clear opening

Optima

Courtyard House
West End Road
High Wycombe
Buckinghamshire
HP11 2QB

t +44 (0) 1494 492 725
www.optimasystems.com